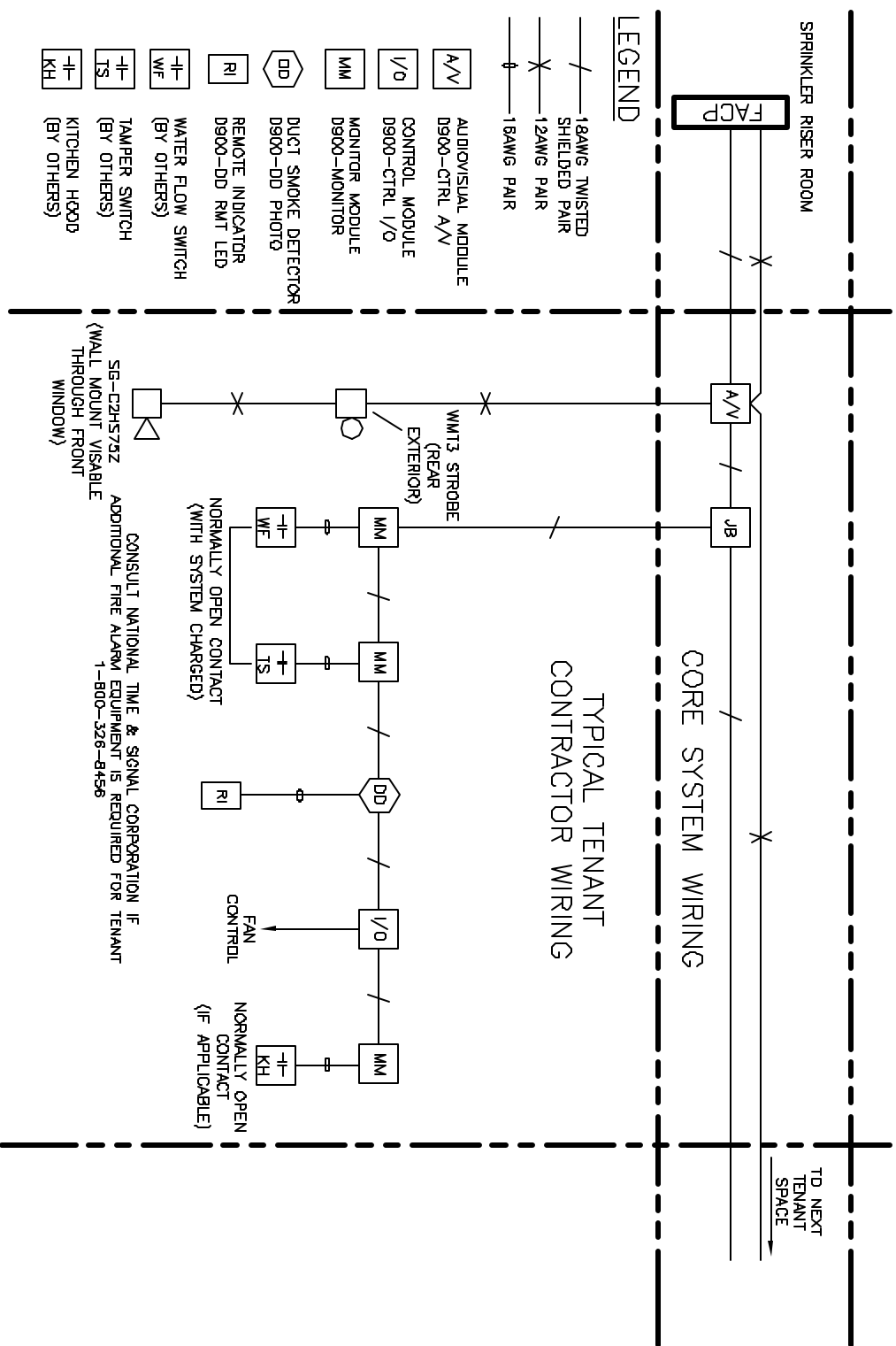


TYPICAL TENANT SPACE



| REVISIONS | | DATE | MATERIAL | NATIONAL SIGNAL CORPORATION | |
|-----------|---------------------------------------|-----------|---------------|---|--|
| A | ADDED SG-C2H575Z HORN STROBE TO RISER | 18 MAR 02 | SCALE USED ON | NATIONAL SIGNAL CORPORATION 1400 VILLAGE OF ROCHESTER HILLS TYPICAL TENANT RISER DRAWING DATE 15 FEB 02 FILE CODE TDR101 DRAWN BY DWAYNE KO | |
| B | | | | | |
| C | | | | | |
| D | | | | | |
| E | | | | | |